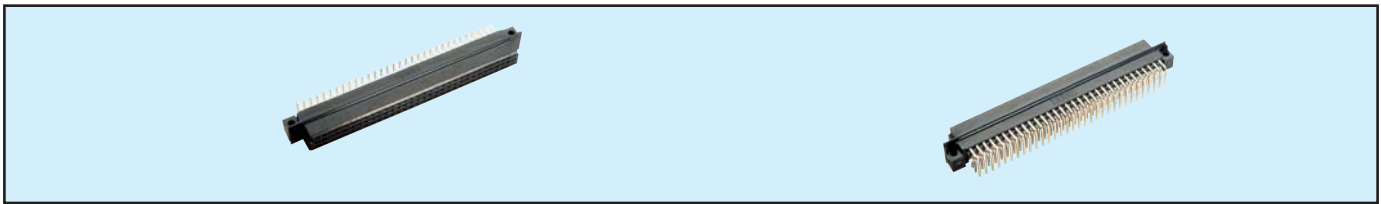


Female Style R High Temperature



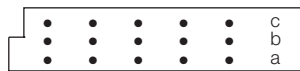
Series 8577 – 3 rows (3 x 32) Inverted



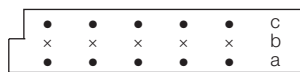
Contact Design and Termination Length	Number of Contacts	Loading Description	Part Number	
			Performance classes according to DIN 41612	
			II	I
0.6 x 0.6 mm Post Profile 3.0 mm (Y) Right Angled	96	a + b + c fully loaded	20 8577 096 002 025	20 8577 096 002 049
	64	a + c fully loaded	20 8577 096 002 026	20 8577 096 002 050
	32	a + c even loading	20 8577 096 002 033	20 8577 096 002 057
	32	a loading only	20 8577 096 002 027	20 8577 096 002 051

NB: Alternative Prefix Variations Available: 26, please refer to Page 10.
 Additional Plating & Loading Variations: Please contact your local AVX sales office or distributor.

LOADING DESCRIPTION



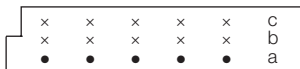
96 contacts, rows a + b + c fully loaded



64 contacts, rows a + c fully loaded

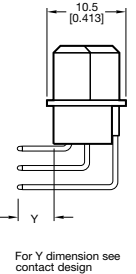
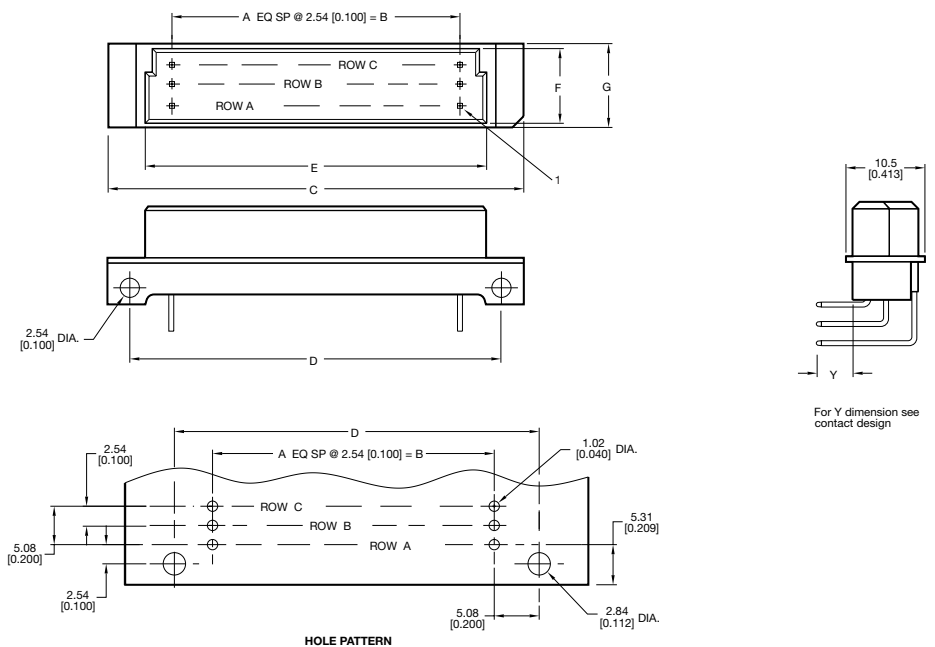


32 contacts, rows a + c even loading



32 contacts, rows a loading only

DIMENSIONS



Unit: millimeters (inches)

No. Contact Positions	Contact Rows	A	B	C	D	E	F	G
96	3 (3 x 32)	31	78.74 (3.100)	93.90 (3.697)	88.90 (3.500)	84.90 (3.343)	8.48 (0.334)	10.50 (0.413)